



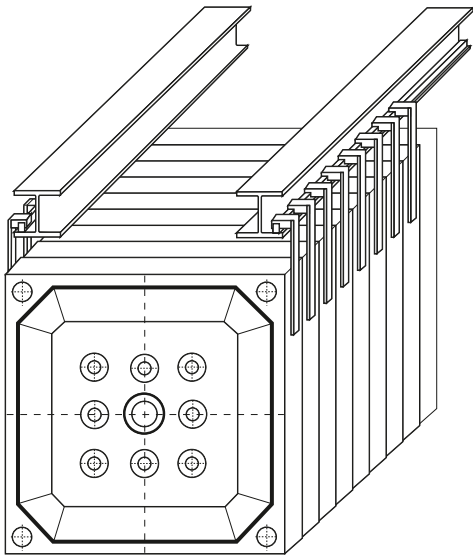
## Overhead Presses 1000 – 2000

KF 100  
KF 120  
KF 150  
KF 150/200  
KF 200

FILOX<sup>®</sup> Overhead presses of the format 1000 – 2000 mm may be employed in the chemical and food industry and for large wastewater volumes from local and industrial purification plants.

All necessary modifications of our filter presses are considered in the planning. So that it will be your press!

Fon | +49 (0) 2646 / 9413-0  
Mail | [info@filox.de](mailto:info@filox.de)  
Web | [filox.de](http://filox.de)



## FILOX<sup>®</sup> – individual solutions tailored to your requirements

### Suspension

The sliding overhead suspension of the filter plates does not require maintenance and is sway-free. It is not necessary to lock the individual components, since static friction prevents an unintentional opening of the plates.

### Washing Register *Optionally with washing register / filter cloth spreader*

The filter cloths must be cleaned after prolonged use, so that the original throughput can be reached again. By means of the automatic washing system this work is achieved without much effort. The maximum water pressure amounts to 100 bars.

### Additional products:

- ▶ Dropping funnel
- ▶ Screw conveyor / twin-screw conveyor
- ▶ Control bars / operating platforms
- ▶ Tilting container and roll container for cake shedding
- ▶ Feeding pumps
- ▶ Special designs in container plants
- ▶ Mobile chamber filter presses
- ▶ Heating plate for filter cake drying

### Chart of possible filter press sizes and design options *(custom sizes on request)*

Typ	Format mm	Number of chambers max.	Filtration pressure max. bar	Filter surface max. m <sup>2</sup>	Chamber volume max. dm <sup>3</sup>
KF100	1000 x 1000	30 – 120	16/30	50,6 – 202,2	598 – 2390
KF120	1200 x 1200	30 – 120	16/30	72,0 – 288,1	767 – 3067
KF150	1500 x 1500	50 – 150	16/30	175,2 – 491,0	1958 – 5481
KF150/200	1500 x 2000	50 – 150	16/30	242,0 – 679,0	2643 – 7399
KF200	2000 x 2000	50 – 180	16/30	329,3 – 922,0	3593 – 10062

Typ	Format mm	Closure	Plate shifting <small>Sectional shifting of up to 30 plates</small>	Light barrier railing	Drip tray
KF100	1000 x 1000	2EH	yes	yes	autom.
KF120	1200 x 1200	2EH	yes	yes	autom.
KF150	1500 x 1500	2EH	yes	yes	autom.
KF150/200	1500 x 2000	2EH	yes	yes	autom.
KF200	2000 x 2000	2EH	yes	yes	autom.

